



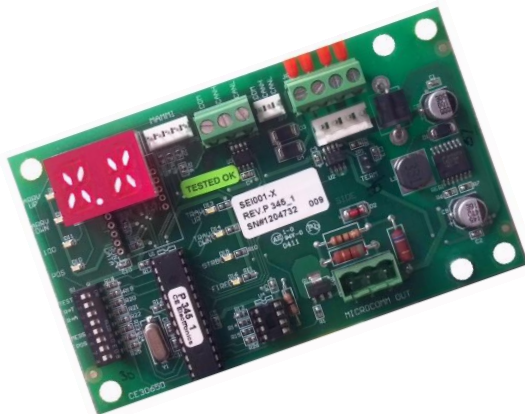
SMARTRISE

MADE STRONG

INSTALLATION MANUAL

for

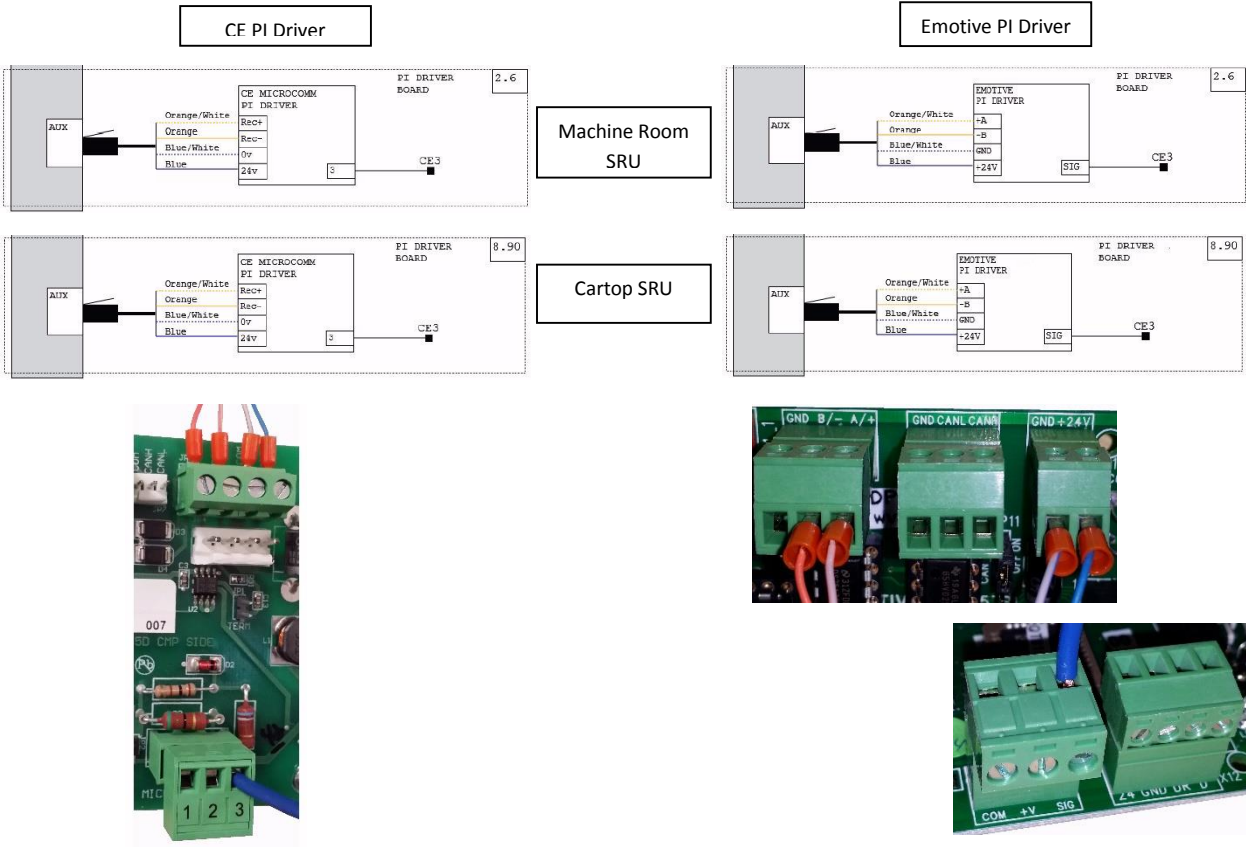
Position Indicator Driver Boards



PI Driver Board Replacement Procedure

The two most common PI driver boards Smartrise uses are manufactured by CE and Emotive. Both driver boards can be used on any of the SRU boards (MR, CT, COP) but the location is usually job specific, so make sure the new board is connected to the original SRU board when being replaced.

When receiving the board, make sure it has the CAT5 pigtail installed, if not, remove the original pigtail and install it on the new board. The wiring layout is shown on either Sheet 2 or 8 of the drawings.



Replacement Instructions:

1. Remove the mounting bolts securing the driver board to the cabinet.
2. Unplug the CAT5 cable from the AUX port.
3. Remove the CE3 line from the #3 terminal (CE) or the SIG terminal (Emotive).
4. If CAT5 pigtail is not installed on the new board, remove the CAT5 cable from the original board and install it on the new board. Use the wiring diagram from the drawings or figures above.
5. Install the PI driver board in the cabinet and secure with the mounting bolts.
6. Plug the CAT5 cable into the AUX port and re-install the CE3 data line into the proper terminal (removed from Step #3).

**** Installation of PI driver board is now complete ****