



SMARTRISE

MADE STRONG

INSTALLATION MANUAL

for

Cartop Inspection Box



Cartop Inspection Box Installation

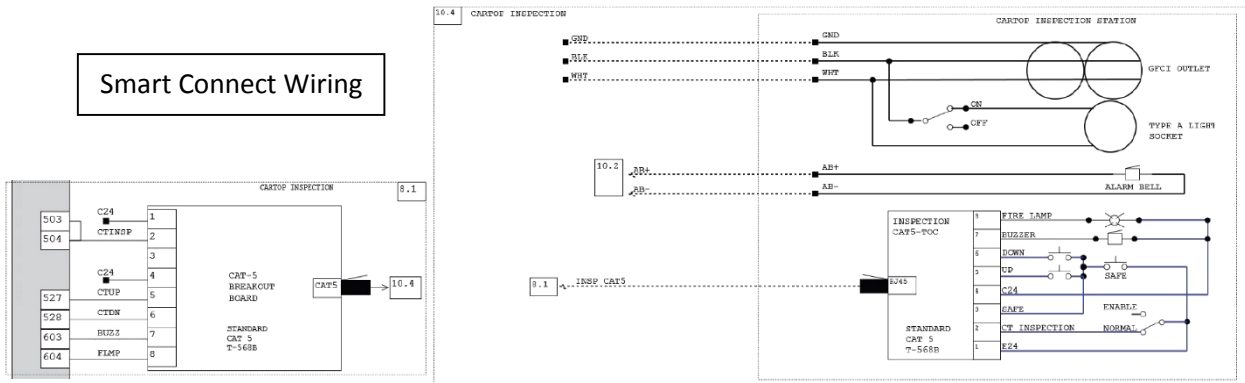
The cartop inspection station is installed via two ways: Smart-Connect or discrete wiring.

Smart Connect uses a CAT5 cable to connect the Inspection box to the Cartop SRU controller.

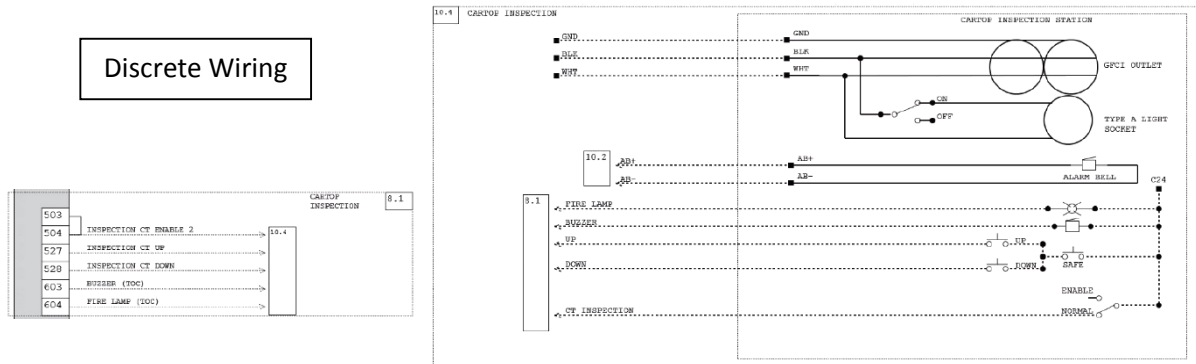
Discrete wiring connects to the Cartop SRU controller with individual wires.

The inspection box connections are shown on Sheets 7, 8 and 10 of the drawings that came with the job.

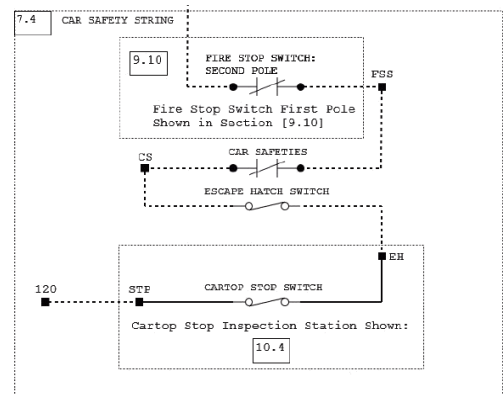
Smart Connect Wiring



Discrete Wiring



Both Styles



Replacing Inspection Box

1. Turn off main power.
2. Open up existing Inspection Box.
3. Label and remove all field installed wiring from the DIN rail in the existing Inspection Box.

NOTE: Alliance packages use cable plugs for the wiring to the DIN rails. Remove the plugs from the DIN rail in the Inspection Box, notating which side they go on. The plugs should be keyed so they'll only go back one way.

4. Remove CAT5 cable from Breakout Board inside existing Inspection Box (Smart Connect only).



5. Remove the old Inspection Box.
6. Install the new Inspection Box.
7. Open the new Inspection Box and install the CAT5 cable to the Breakout board and all the wires removed from the DIN rail in Step #2.



8. Close Inspection Box and turn on main power.

**** Installation is now complete ****